

Помпи центробежни по стандарт EN 733 DIN 24255



RANGE OF PERFORMANCE

Flow rate up to 6000 l/min (360 m³/h)

Head up to 95 m

LIMITS OF USE

Manometric suction lift up to 7 m

Liquid temperature from -10°C to +90°C

Environment temperature from -10°C to +40°C

Max. pressure in the pump body 10 bar (PN10)

INSTALLATION AND USE

They are recommended for pumping clean water and liquids that are chemically non aggressive to the materials from which the pump is made.

THIS SERIES IS SUITABLE FOR SUPPLYING AND MOVING WATER, IN COOLING, HEATING, CIRCULATING AND CONDITIONING SYSTEMS, FOR FIRE FIGHTING, IRRIGATION, INDUSTRIAL AND AGRICULTURAL APPLICATIONS.

Manufacture in accordance with dimensional standards EN 733 - DIN 24255 ensures models are fully interchangeable. The design allows the pump body to be removed without disconnecting it from the pipes (**back pull out**).

The pumps must be installed in enclosed places, or at least protected against inclement weather.

GUARANTEE 2 YEARS subject to our general terms of sale.

CONSTRUCTION CHARACTERISTICS

- **PUMP BODY:** cast iron, complies with dimensional standards EN 733 - DIN 24255 and UNI 7467-NF E-44-111, with flanged suction and delivery ports complete with threaded steel counterflanges.
- **BODY BACK-PLATE:** cast iron.
- **IMPELLER:** brass for models K32/160, K32/200, K40/160, K40/200, K50/125 and K50/160.
- **IMPELLER:** cast iron for models K40/250, K50/200, K50/250, K65/125, K65/160, K65/200, K80/160, K100/160
- **MOTOR SHAFT:** stainless steel EN 10088-3 - 1.4104.
- **MECHANICAL SEAL:** ceramic - graphite - NBR.
- **ELECTRIC MOTOR:** the pumps are close-coupled to a carefully matched electric motor, asynchronous type with high efficiency (class EFF1 for powers from 4 to 22 kW), quiet running, totally enclosed fan cooled, suitable for continuous duty.

KM: single-phase 230 V - 50 Hz with capacitor and thermal overload protector (up to 1.5 kW).

K: three-phase 230/400 V - 50 Hz up to 4 kW. 400/690 V - 50 Hz from 5.5 to 22 kW.

- **INSULATION:** classe K.
- **PROTECTION:** IP 44.

OPTIONS ON REQUEST

- ⇒ pump shaft in stainless steel
- ⇒ **EN 10088-3 - 1.4401 (AISI 316)**
- ⇒ special mechanical seal
- ⇒ other voltages or frequency 60 Hz
- ⇒ protection IP 55
- ⇒ for liquids with higher or lower temperatures
- ⇒ for environments with higher or lower temperatures

CONSTRUCTION AND SAFETY STANDARDS

EN 60034-1

IEC 34-1

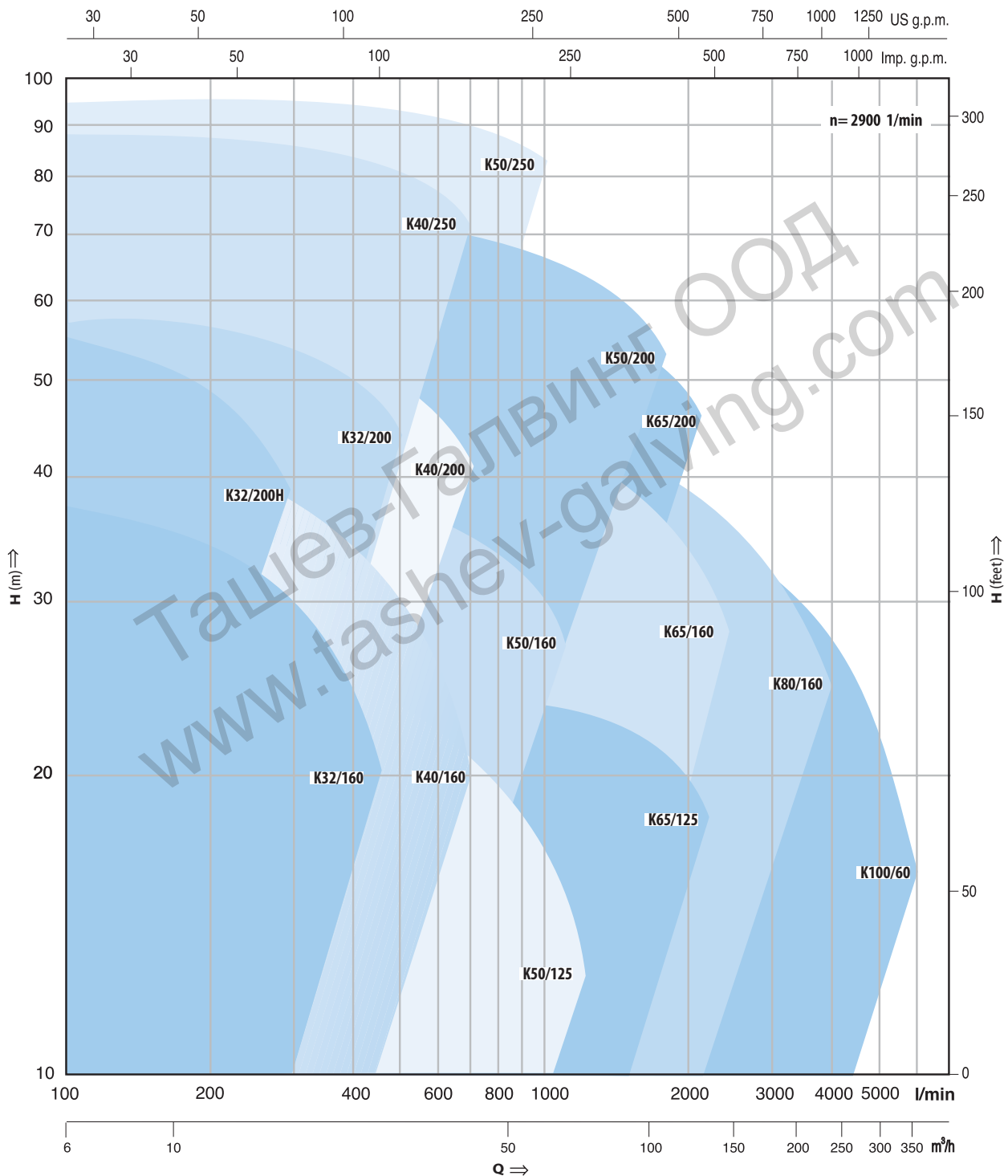
CEI 2-3





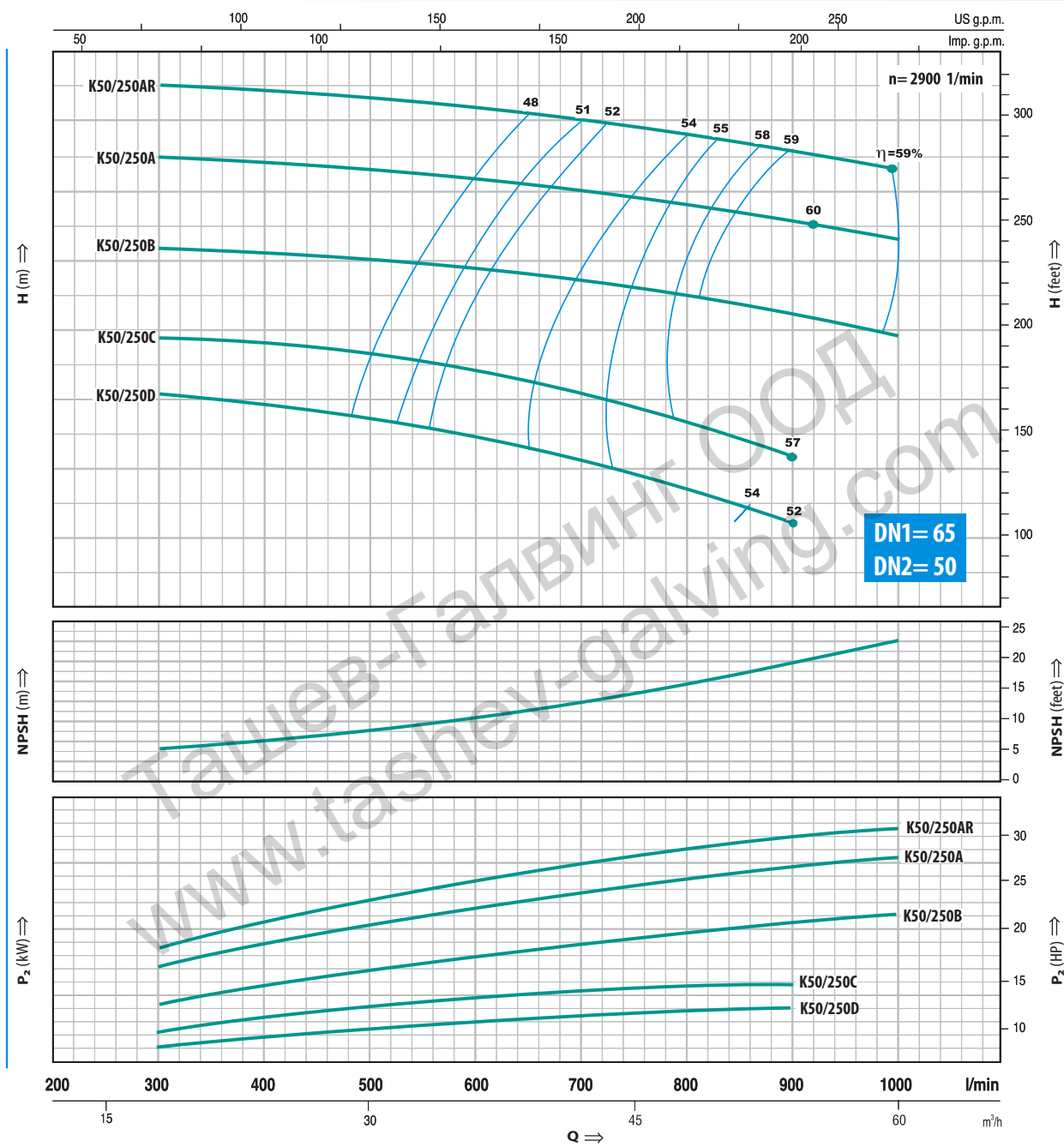
K

standardised centrifugal pumps to EN 733 - DIN 24255





K 50/250

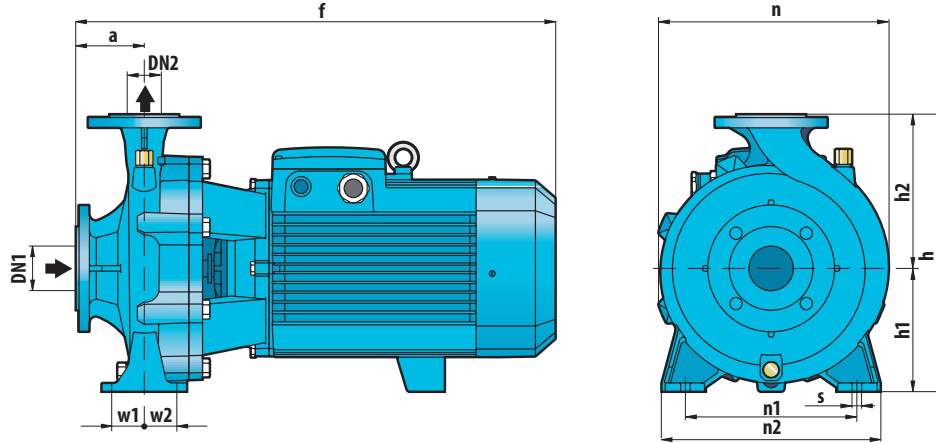


Q = Flow rate H = Total manometric head

Tolerance of the performance curves according to EN ISO 9906 App. A.

TYPE	POWER		m ³ /h l/min	0	18	24	30	36	42	48	54	60
	kW	HP		0	300	400	500	600	700	800	900	1000
K 50/250D	9.2	12.5	H metres	51	51	49	47	44	41	37	32	
K 50/250C	11	15		59	59	58	57	54	51	47	42	
K 50/250B	15	20		72	72	71	70	69	67	65	62	59
K 50/250A	18.5	25		85	85	84	83	82	80	78	76	73
K 50/250AR	22	30		95	95	94	93	92	90	88	86	83

DIMENSIONS AND WEIGHTS



TYPE		PORTS		DIMENSIONS mm											kg*													
Single-phase	Three-phase	DN1	DN2	a	f	h	h1	h2	n	n1	n2	w1	w2	s	1~	3~												
K32/160CM	K32/160C	50	32	80	412	292	132	160	242	190	240	35	35	14	39.2	38.4												
K32/160BM	K32/160B				431/412										42.6	39.2												
K32/160AM	K32/160A				465/431										-	42.6												
---	K32/200C				469										-	52.1												
---	K32/200B				515										-	57.0												
---	K32/200A				469										-	63.0												
K32/200BHM	K32/200BH				469										-	52.8	48.5											
---	K32/200AH				431/412										-	52.8												
K40/160CM	K40/160C				65										40	80	431/412	292	132	160	240	212	265	47.5	47.5	14	43.9	41.2
K40/160BM	K40/160B																465/431										50.5	43.9
---	K40/160A	465	-	50.5																								
---	K40/200B	535	-	61.4																								
---	K40/200A	606	-	65.9																								
---	K40/250C	701	-	108.0																								
---	K40/250B	489	-	115.0																								
---	K40/250A	450/431	-	132.0																								
K50/125CM	K50/125C	65	50	100		484/450	292	132	160	242	190	240	35	35			14										44.2	41.4
K50/125BM	K50/125B					484																					50.5	44.2
---	K50/125A				489	-									50.5													
---	K50/160C				535	-									55.5													
---	K50/160B				616	-									60.5													
---	K50/160A				616	-									65.0													
---	K50/200C				711	-									105.3													
---	K50/200B				743	-									121.7													
---	K50/200A				606	-									134.2													
---	K50/200AR				701	-									145.7													
---	K50/250D	733	-	111.0																								
---	K50/250C	511	-	118.0																								
---	K50/250B	557	-	135.0																								
---	K50/250A	621	-	148.0																								
---	K50/250AR	716	-	159.5																								
---	K65/125C	80	65	100	511	340	160	180	291	212	280	47.5	47.5	14	-	62.0												
---	K65/125B				557										-	67.7												
---	K65/125A				621										-	72.0												
---	K65/160C				621										-	100.0												
---	K65/160B				360										-	107.0												
---	K65/160A				716										-	123.0												
---	K65/200B				719										-	128.0												
---	K65/200A				719										-	141.5												
---	K65/200AR				751										-	153.0												
---	K80/160D				652										-	112.5												
---	K80/160C	100	80	125	747	405	180	225	330	250	320	60	60	18	-	129.5												
---	K80/160B				779										-	142.5												
---	K80/160A				779										-	154.0												
---	K100/160C				758										-	141.2												
---	K100/160B	125	100	125	790	480	200	280	362	280	360	60	60	18	-	153.7												
---	K100/160A				790										-	165.2												

(*weight includes counterflanges)

DN FLANGES mm	t mm	u mm	HOLES	
			N°	Ø (mm)
32	140	100	4	18
40	150	110		
50	165	125		
65	185	145		
80	200	160	8	18
100	220	180		
125	250	210		

